

These capacitors are particularly suitable for telephone equipment where low loss, excellent stability and high reliability are required.

The 'high - rise' shape facilitates high packing density.

They are polystyrene film capacitors with tin electrodes sealed in a polypropylene case, both materials are flame retardant and resistant to cleaning fluids.

Dimensions:	
A	7.5mm
C	5.08mm
H	15.5mm

Terminations:	
Wire Diameter (mm)	Length (mm)
0.6mm dia	4 ± 1mm long

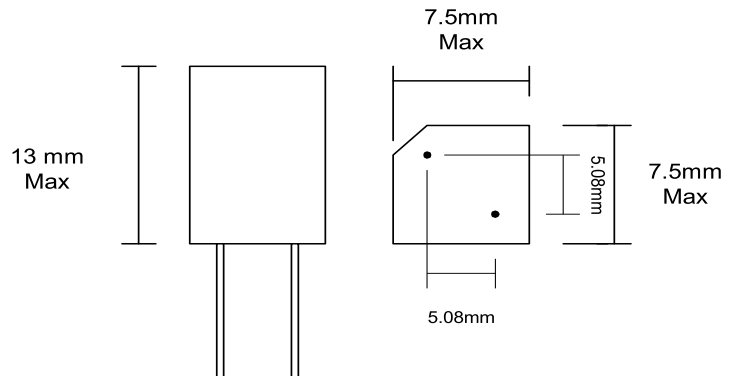
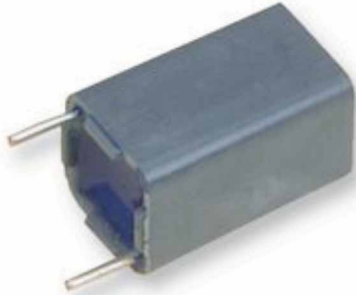
## SPECIFICATION

Capacitance Range	8N21 - 15 nF
Capacitance Tolerance	±1%, ± 2%, ± 5%
Voltage (DC working)	63VDC
Insulation Resistance (at 23°C)	> 50.000 MΩ
Loss Factor (1KHz)	0.0005
Temperature Coefficient	-110 ± 60 p.p.m./°C
Climatic Category	40/070/56

Considerable detailed data is available on specific components, for example :-

Loss factor at 120Hz, 1000Hz, 10Khz, 100Khz and 1MHz

Self resonant frequencies.



These capacitors are particularly suitable for telephone equipment where low loss, excellent stability and high reliability are required.

The 'high - rise' shape facilitates high packing density.

They consist of extended foil polystyrene capacitors sealed into a case with epoxy resin.

Dimensions:	
A	7.5mm
C	5.08mm
H	13mm max including stand offs

Terminations:	
Wire Diameter (mm)	Length (mm)
0.6mm dia	4 ± 1mm long

## SPECIFICATION

Capacitance Range	47pf - 8,200pf
Capacitance Tolerance	±1%, ± 2%, ± 5% (or 1.5pF whichever is the greater)
Voltage (DC working)	63VDC
Insulation Resistance (at 23°C)	> 500,000 MΩ
Loss Factor (1KHz)	0.0003
Temperature Coefficient	-110 ± 60 p.p.m./°C
Climatic Category	40/70/56

Considerable detailed data is available on specific components, for example :-

Loss factor at 120Hz, 1000Hz, 10Khz, 100Khz and 1MHz

Self resonant frequencies.

The capacitance range can be extended up to 120,000pf with polypropylene dielectric (See MKP/HR data sheet).